



ENDURO® SEAL

The Enduro® Seal is an acrylic security seal designed for long term field life.

APPLICATIONS

- Doors
- Meters
- Measuring Devices
- Tote Boxes
- Hatches
- In-Bond Shipments
- Scales

FEATURES

- See-through body positively indicates tampering
- Also available with solid body & contrasting colored insert
- Accepted by US & UK Customs
- Galvanized wire can be scored for removal by hand or unscored for removal with cutters
- Square or rounded bottom options

MATERIAL

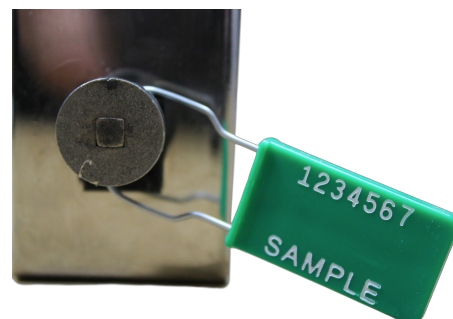
- Body: Acrylic
- Wire Hasp: .047" (1.2mm) diameter in galvanized or stainless steel.

DIMENSIONS

- Body: .833" (21.16mm) x 1.495" (38mm) x .198" (5.02mm)

MARKING/PRINTING

- Heat stamped with name or logo and number (7 digits)



ENDURO[®] SEAL

STANDARD COLORS

- Body: Clear / Red / Blue / White / Grey
- Insert: White / Red / Blue / Green / Yellow / Orange / Grey / Black

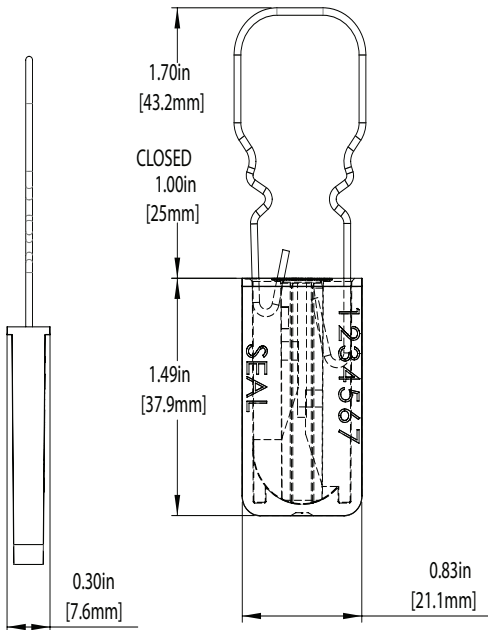


PACKAGING

- Standard Packaging: 1,000/Box – 5,000/Carton
- Carton Dimensions: 41" x 14" x 11" (102.5cm x 35cm x 28cm)
- Carton Weight: Gross: 67 lbs (30 kg) Net: 62 lbs (28 kg)



SQUARE BOTTOM



ROUND BOTTOM

